

	1
	1
	
1-1	
1-1	
1-	
1-	
1-	
1-	11
1-	1
1-	1
1-	1
1-	1
1-10	1
1-11	
1-1	
1-1	
1-1	
1-1	
1-1	0
1-1	
1-1	
	
	
-1	
-1	
-	0
-	1
-	
-	
-	
-	
-	1
-10	
-11	
-1	
-1	
-1	1
-1	
-1	
-1	
-1	
	0

[2014] 55

- 1.
- 2.
- 3.
- 4.

--

--

		1-1	1	1-1	1-1
		-1	1	-1	-1
		-1	1	-1	-1

1

I/O

C

/

Kei I C

2

1

/ /

Kei I C

MCU

/ /

2

6S (

)

/

3

120

4

20		10	0	
				1
				2
		10		3
				4
			5	

10

5

30

ro

1



2

PCB

E

3

1

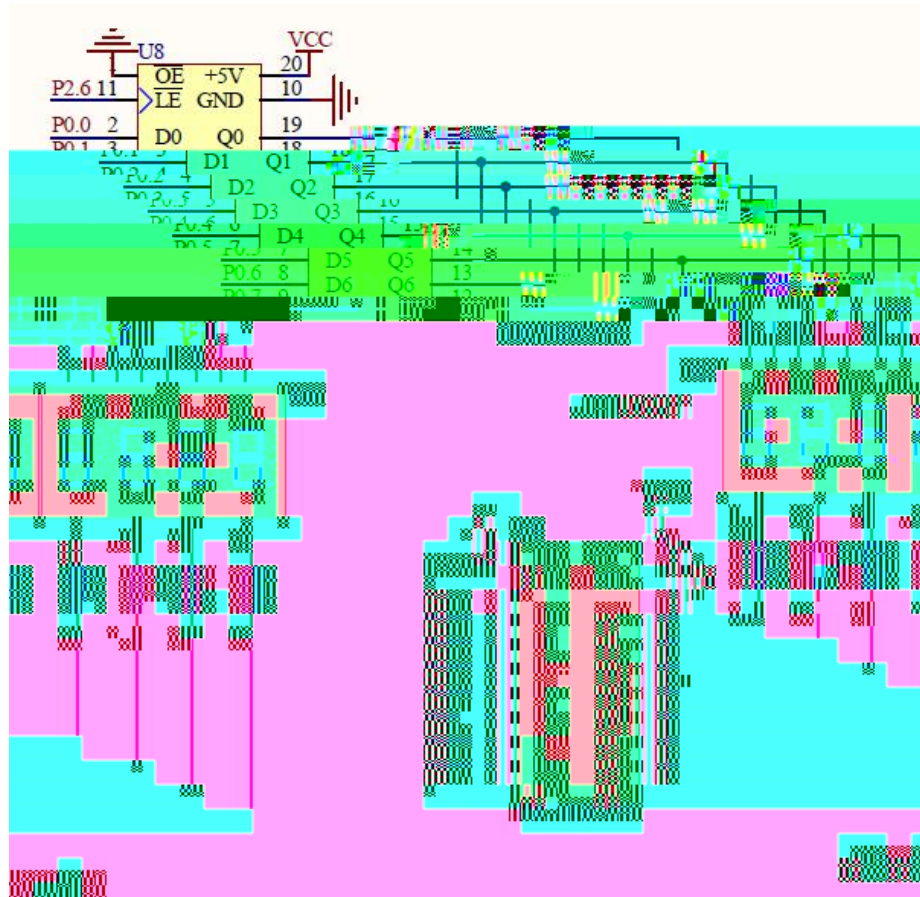


2

PCB
E

3

1

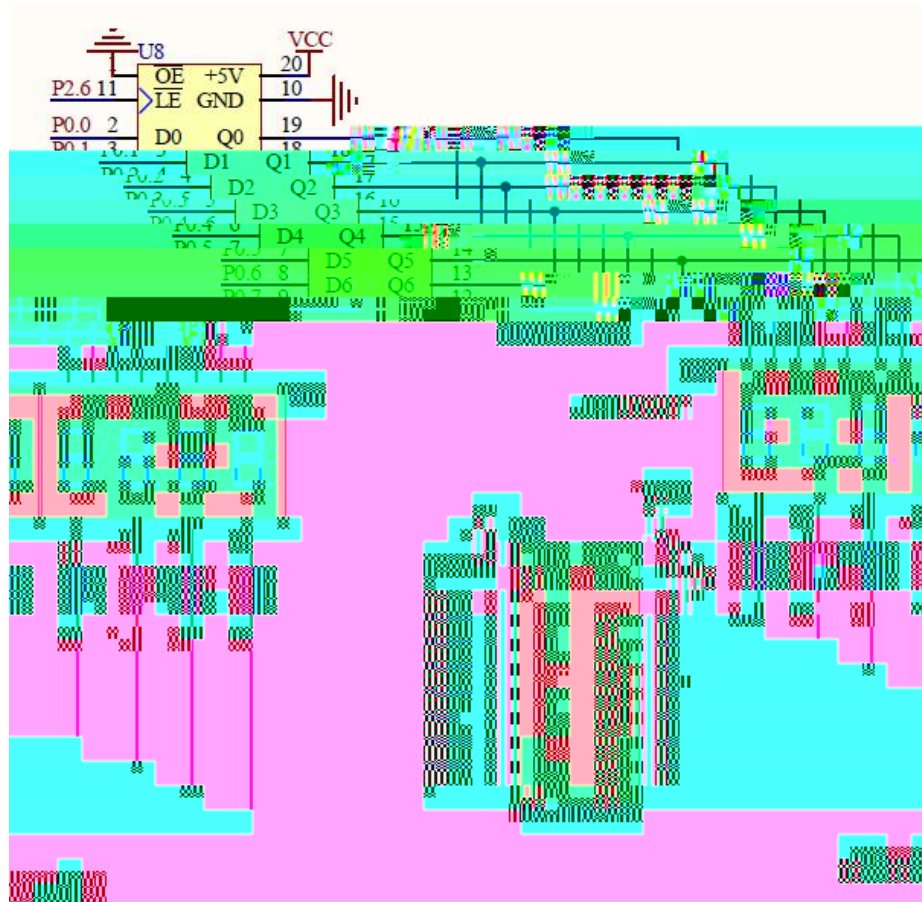


2

PCB
E

3

1



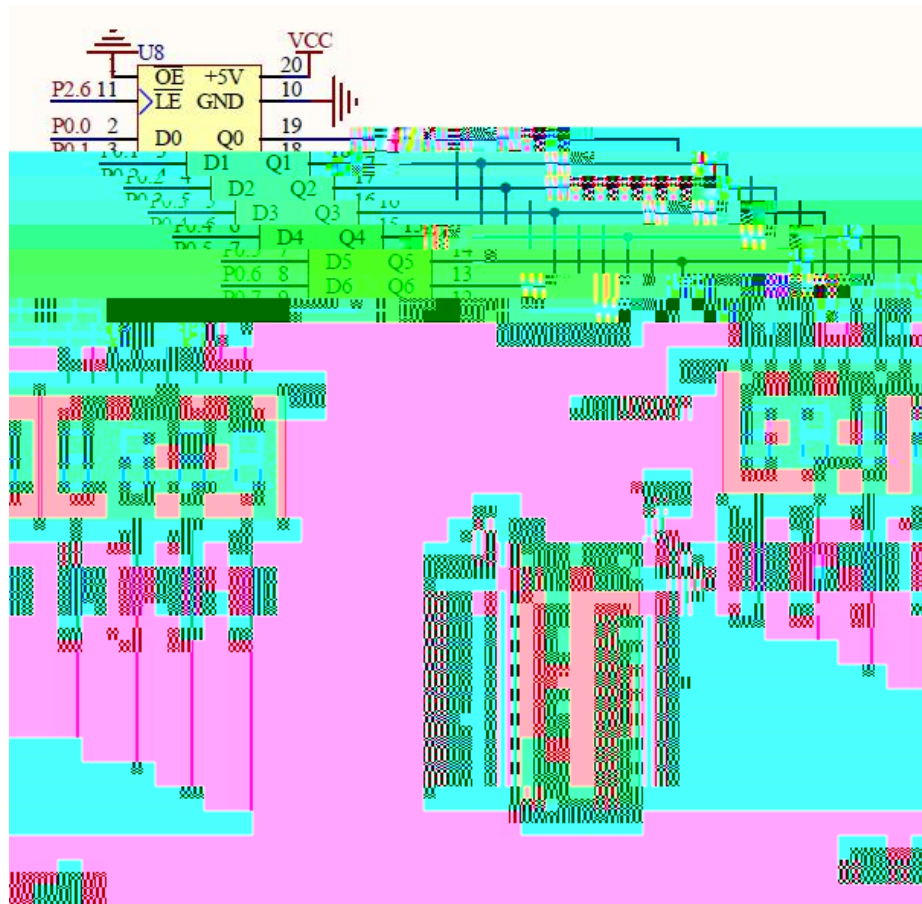
2

PCB

E

3

1



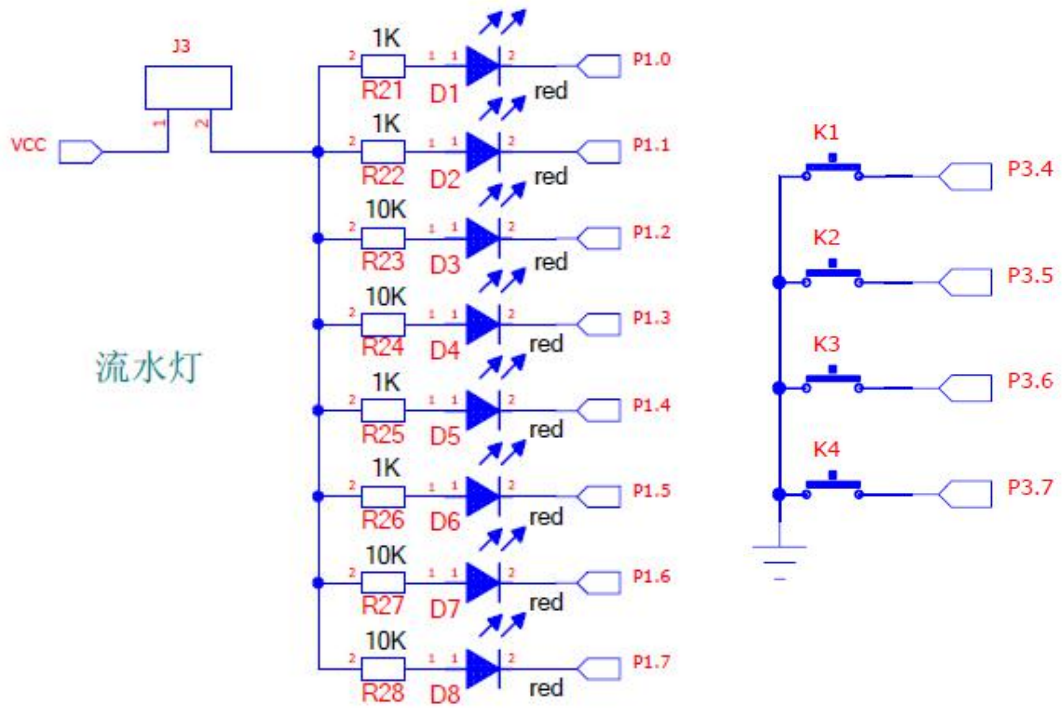
2

PCB
E

3

1

K1 8



2

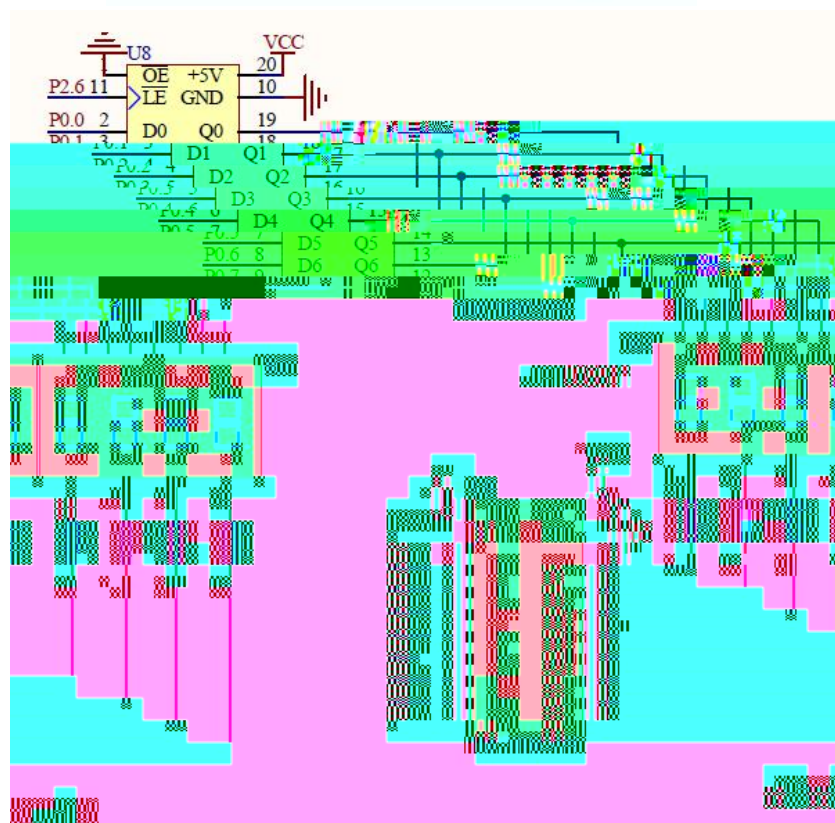
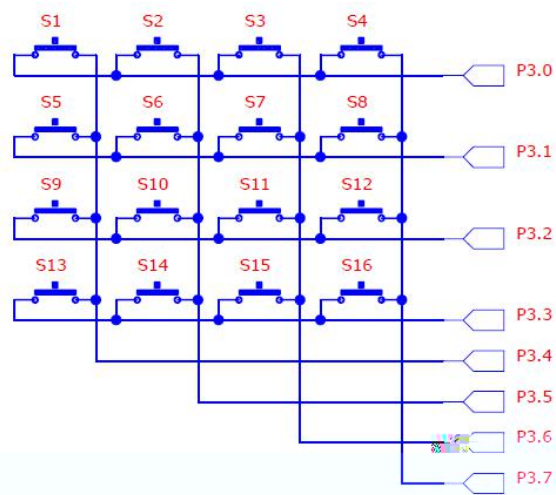
PCB
E

3

1

S1-S16

O-F



2

PCB

E

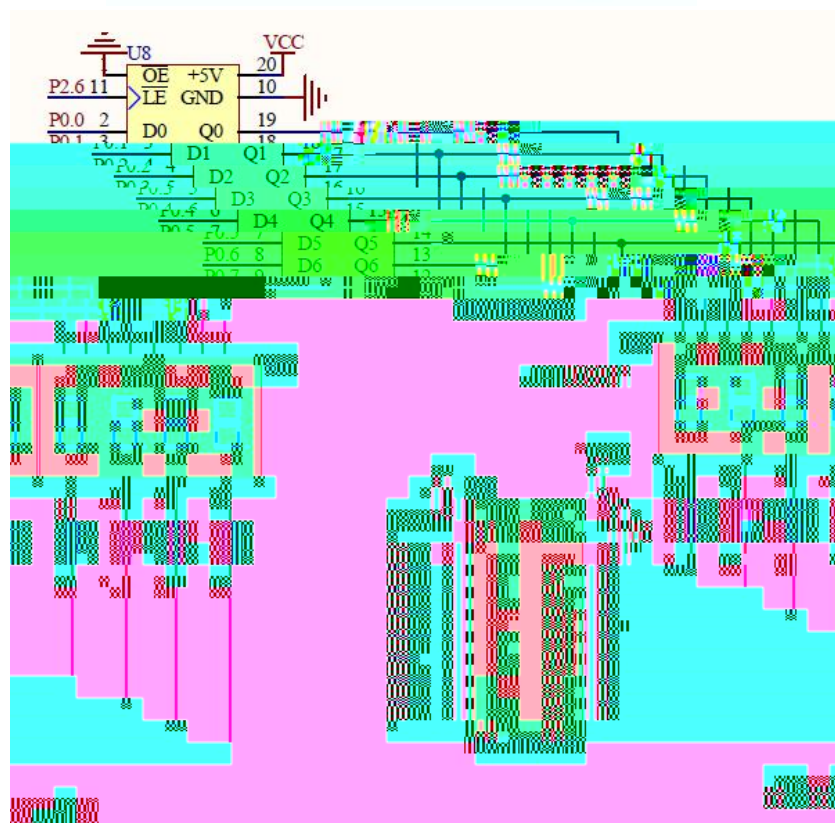
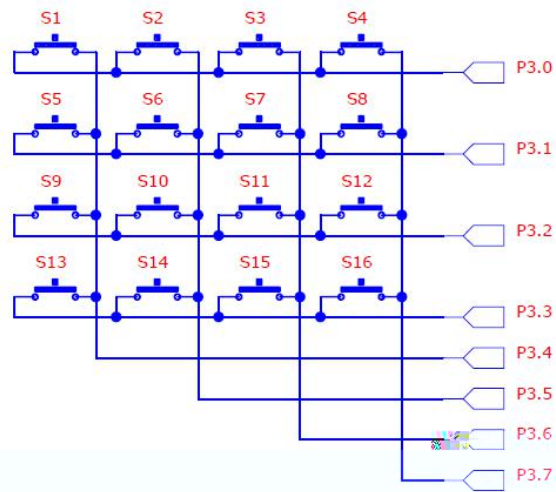
3

1

P3.2

9 0

1



2

PCB

E

3

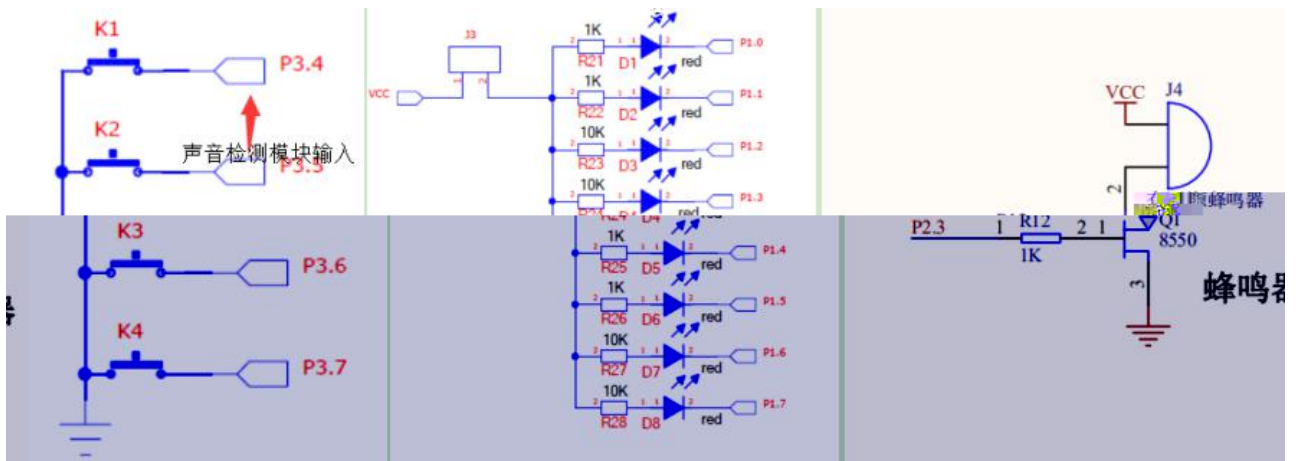
1

1

P3.4

P3.4

D1



1

2

PCB

E

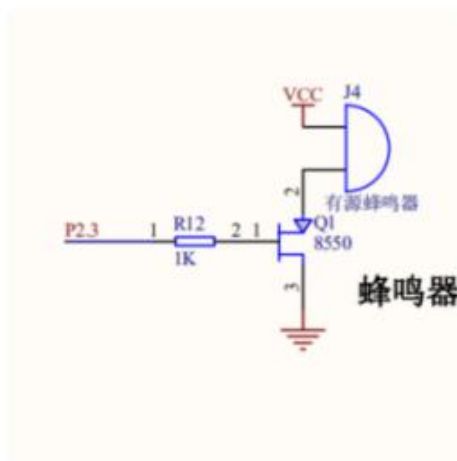
3

1

P3.7

1

P3.7



1

2

PCB
E

3

1

1

K1

D1

K2

D2



1

2

PCB

E

3

1

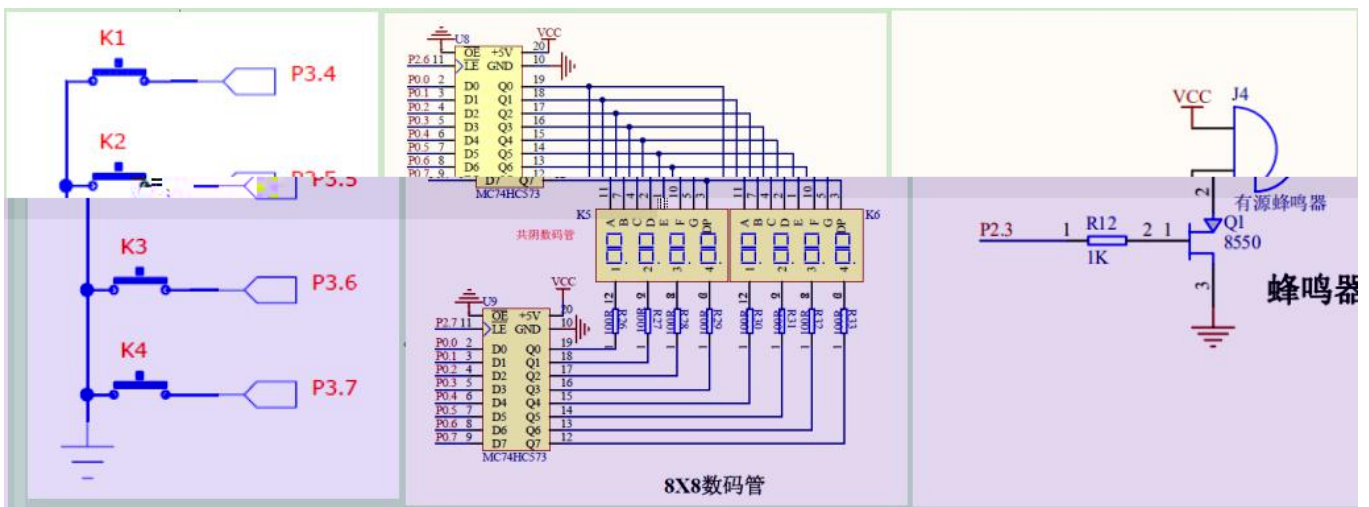
1

K1

K2 K3 K4

K1

" 1"



2

PCB

E

3

1

2



2

PCB

E

3

1

1

P3.6

P3.6



1

2

PCB

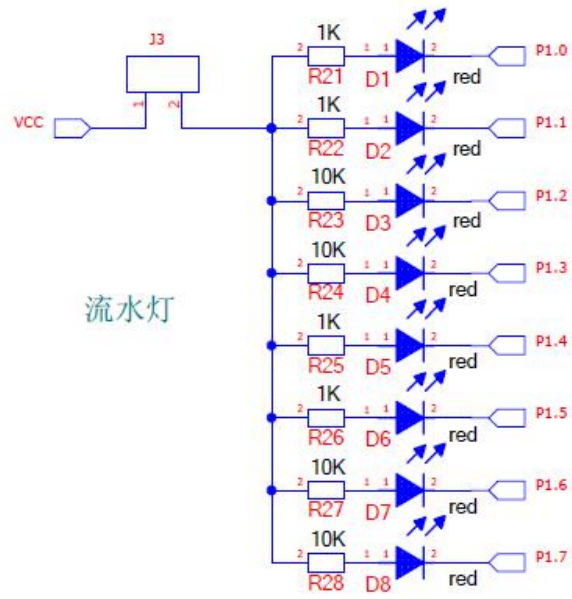
E

3

0

1

0.5S 0.5S



2

PCB

E

3

1

K1

D1-D4

K2

D5-D8



2

PCB

E

3

1

/ /

1

/ /

/ /

()

/

1 0

20		10			0	
			1			
		10	2			
			3			

			4	
			5	
30		10		
		5		
		5		
		10		
50		5		
		5	1 2	PCB
		10		
		15	1 2 3	
		15		

5

18

1



2

3

1



2

3

1



2

3

1



2

3

1



2



3

1

1	VBAT	VDD	64
2	PC13/ANT1	VSS	63
3	PC14/OSC32	PB9/TIM4_CH4/SDIO_D5	62
4	PC15/OSC32	PB8/TIM4_CH3/SDIO_D4	61
5	PD0/OSCIN	...	60
6	PD1/OSCAUT	BOOT0	59
7	NRST	PB7/I2C1_SDA/TIM4_CH2	58
8	PC0/ADC10	PB6/I2C1_SCL/TIM4_CH1	57
9	PC1/ADC11	PB5/I2C1_SMBA/SPI3_MOSI/I2S3_SD	56
10	PC2/ADC12	PB4/JNTRST/SPI3_MISO	55
11	PC3/ADC13	PB3/JTDO/SPI3_SCK/I2S3_CK	54
12	VSSA	PD2/U5_RX/TIM3_ETR/SDIO_CMD	53
13	VDDA	PC12/U5_TX/SDIO_CK	52
14	PA0/WKUP/ADC0/TIM2_CH1_ETR/TIM5_CH1/TIM8_ETR	PC11/U4_RX/SDIO_D3	51
15	PA1/ADC1/TIM2_CH2/TIM5_CH2	PC10/U4_TX/SDIO_D2	50
16	PA2/U2_TX/ADC2/TIM2_CH3/TIM5_CH3	PA15/JTDI/SPI3_NSS/I2S3_WS	49
17	PA3/U2_RX/ADC3/TIM2_CH4/TIM5_CH4	PA14/JTCK/SWCLK	48
18	VDD	VDD	4
19	VSS	VSS	5
20	PA4/ADC0/ADC10/ADC11	PA13/TIM2_CH3	6
21	PA5/ADC0/ADC10/ADC11	PA12/TIM2_CH2	7
22	PA6/ADC0/ADC10/ADC11	PA11/TIM2_CH1	8
23	PA7/ADC0/ADC10/ADC11	PA10/TIM2_CH0	9
24	PA8/ADC0/ADC10/ADC11	PA9/TIM2_CH0	10
25	PA9/ADC0/ADC10/ADC11	PA8/TIM2_CH0	11
26	PA10/ADC0/ADC10/ADC11	PA7/TIM2_CH0	12
27	PA11/ADC0/ADC10/ADC11	PA6/TIM2_CH0	13
28	PA12/ADC0/ADC10/ADC11	PA5/TIM2_CH0	14
29	PA13/ADC0/ADC10/ADC11	PA4/TIM2_CH0	15
30	PA14/ADC0/ADC10/ADC11	PA3/TIM2_CH0	16
31	PA15/ADC0/ADC10/ADC11	PA2/TIM2_CH0	17
32	PA16/ADC0/ADC10/ADC11	PA1/TIM2_CH0	18
33	PA17/ADC0/ADC10/ADC11	PA0/TIM2_CH0	19
34	PA18/ADC0/ADC10/ADC11	PA15/TIM2_CH0	20
35	PA19/ADC0/ADC10/ADC11	PA14/TIM2_CH0	21
36	PA20/ADC0/ADC10/ADC11	PA13/TIM2_CH0	22
37	PA21/ADC0/ADC10/ADC11	PA12/TIM2_CH0	23
38	PA22/ADC0/ADC10/ADC11	PA11/TIM2_CH0	24
39	PA23/ADC0/ADC10/ADC11	PA10/TIM2_CH0	25
40	PA24/ADC0/ADC10/ADC11	PA9/TIM2_CH0	26
41	PA25/ADC0/ADC10/ADC11	PA8/TIM2_CH0	27
42	PA26/ADC0/ADC10/ADC11	PA7/TIM2_CH0	28
43	PA27/ADC0/ADC10/ADC11	PA6/TIM2_CH0	29
44	PA28/ADC0/ADC10/ADC11	PA5/TIM2_CH0	30
45	PA29/ADC0/ADC10/ADC11	PA4/TIM2_CH0	31
46	PA30/ADC0/ADC10/ADC11	PA3/TIM2_CH0	32
47	PA31/ADC0/ADC10/ADC11	PA2/TIM2_CH0	33
48	PA32/ADC0/ADC10/ADC11	PA1/TIM2_CH0	34
49	PA33/ADC0/ADC10/ADC11	PA0/TIM2_CH0	35
50	PA34/ADC0/ADC10/ADC11	PA15/TIM2_CH0	36
51	PA35/ADC0/ADC10/ADC11	PA14/TIM2_CH0	37
52	PA36/ADC0/ADC10/ADC11	PA13/TIM2_CH0	38
53	PA37/ADC0/ADC10/ADC11	PA12/TIM2_CH0	39
54	PA38/ADC0/ADC10/ADC11	PA11/TIM2_CH0	40
55	PA39/ADC0/ADC10/ADC11	PA10/TIM2_CH0	41
56	PA40/ADC0/ADC10/ADC11	PA9/TIM2_CH0	42
57	PA41/ADC0/ADC10/ADC11	PA8/TIM2_CH0	43
58	PA42/ADC0/ADC10/ADC11	PA7/TIM2_CH0	44
59	PA43/ADC0/ADC10/ADC11	PA6/TIM2_CH0	45
60	PA44/ADC0/ADC10/ADC11	PA5/TIM2_CH0	46
61	PA45/ADC0/ADC10/ADC11	PA4/TIM2_CH0	47
62	PA46/ADC0/ADC10/ADC11	PA3/TIM2_CH0	48
63	PA47/ADC0/ADC10/ADC11	PA2/TIM2_CH0	49
64	PA48/ADC0/ADC10/ADC11	PA1/TIM2_CH0	50

2

3

1



2

3

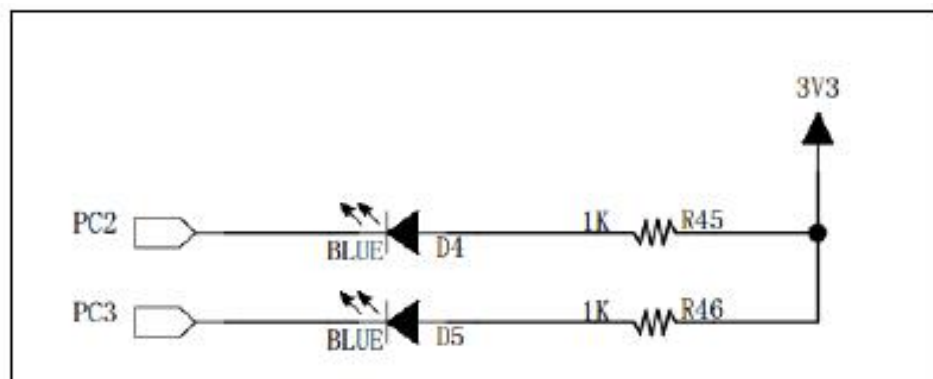
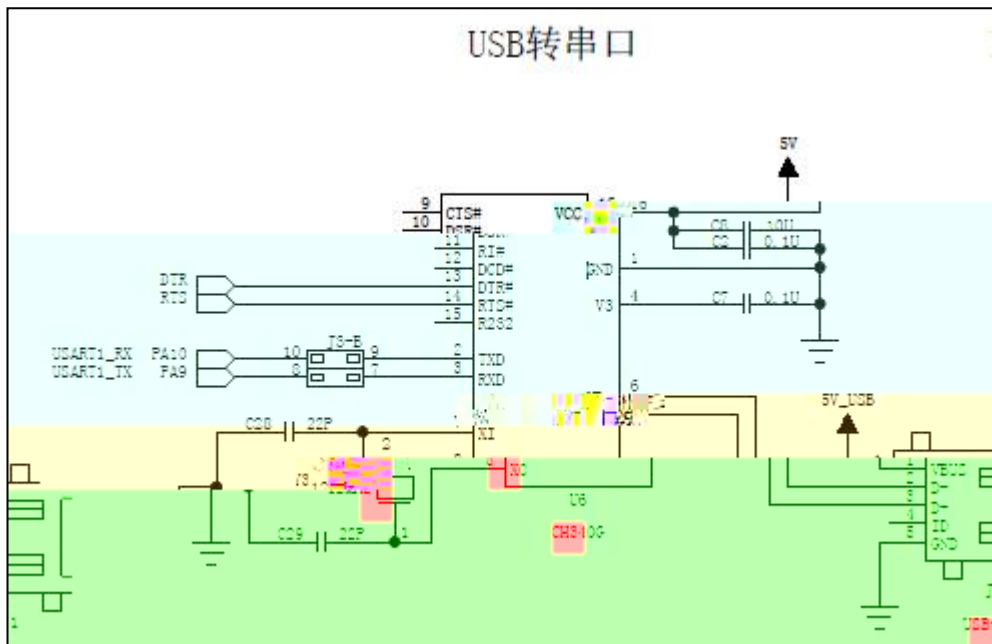
1

1	VBAT	VDD	64
2	PC13/ANT1	VSS	63
3	PC14/OSC32	PB9/TIM4_CH4/SDIO_D5	62
4	PC15/OSC32	PB8/TIM4_CH3/SDIO_D4	61
5	PD0/OSCIN	BOOT0	60
6	PD1/OSCCOUT	PB7/I2C1_SDA/TIM4_CH2	59
7	NRST	PB6/I2C1_SCL/TIM4_CH1	58
8	PC0/ADC10	PB5/I2C1_SMBA/SPI3_MOSI/I2S3_SD	57
9	PC1/ADC11	PB4/JNTRST/SPI3_MISO	56
10	PC2/ADC12	PB3/JTDC/SPI3_SCK/I2S3_CK	55
11	PC3/ADC13	PD2/U5_RX/TIM3_ETR/SDIO_CMD	54
12	VSSA	PC12/U5_TX/SDIO_CK	53
13	VDDA	PC11/U4_RX/SDIO_D3	52
14	PA0/WKUP/ADC0/TIM2_CH1_ETR/TIM5_CH1/TIM8_ETR	PC10/U4_TX/SDIO_D2	51
15	PA1/ADC1/TIM2_CH2/TIM5_CH2	PA15/JTDI/SPI3_NSS/I2S3_WS	50
16	PA2/U2_TX/ADC2/TIM2_CH3/TIM5_CH3	PA14/JTCK/SWCLK	49
17	PA3/U2_RX/ADC3/TIM2_CH4/TIM5_CH4	VDD	48
18	PC4	VDD	47
19	PC5	PA13/TIM2_CH5	46
20	PA4/AFIO_MCO/ADC11_IN1	PA12/CKI/TIM2_ETR	45
21	PA5/AFIO_MCO/ADC11_IN2	PA11/CKM/SPI3_NSS	44
22	PA6/AFIO_MCO/ADC11_IN3	PA10/CKP/SPI3_SCK	43
23	PA7/AFIO_MCO/ADC11_IN4	PA9/CKS/SPI3_MOSI	42
24	PA8/AFIO_MCO/ADC11_IN5	PA8/CKT/SPI3_MISO	41
25	PA9/AFIO_MCO/ADC11_IN6	PA7/CKU/SPI3_CS	40
26	PA10/AFIO_MCO/ADC11_IN7	PA6/CKV/SPI3_CS	39
27	PA11/AFIO_MCO/ADC11_IN8	PA5/CKW/SPI3_CS	38
28	PA12/AFIO_MCO/ADC11_IN9	PA4/CKX/SPI3_CS	37
29	PA13/AFIO_MCO/ADC11_IN10	PA3/CKY/SPI3_CS	36
30	PA14/AFIO_MCO/ADC11_IN11	PA2/CKZ/SPI3_CS	35
31	PA15/AFIO_MCO/ADC11_IN12	PA1/CKAA/SPI3_CS	34
32	PA16/AFIO_MCO/ADC11_IN13	PA0/CKAB/SPI3_CS	33
33	PA17/AFIO_MCO/ADC11_IN14	PA15/CKAC/SPI3_CS	32
34	PA18/AFIO_MCO/ADC11_IN15	PA14/CKAD/SPI3_CS	31
35	PA19/AFIO_MCO/ADC11_IN16	PA13/CKAE/SPI3_CS	30
36	PA20/AFIO_MCO/ADC11_IN17	PA12/CKAF/SPI3_CS	29
37	PA21/AFIO_MCO/ADC11_IN18	PA11/CKAG/SPI3_CS	28
38	PA22/AFIO_MCO/ADC11_IN19	PA10/CKAH/SPI3_CS	27
39	PA23/AFIO_MCO/ADC11_IN20	PA9/CKAI/SPI3_CS	26
40	PA24/AFIO_MCO/ADC11_IN21	PA8/CKAJ/SPI3_CS	25
41	PA25/AFIO_MCO/ADC11_IN22	PA7/CKAK/SPI3_CS	24
42	PA26/AFIO_MCO/ADC11_IN23	PA6/CKAL/SPI3_CS	23
43	PA27/AFIO_MCO/ADC11_IN24	PA5/CKAM/SPI3_CS	22
44	PA28/AFIO_MCO/ADC11_IN25	PA4/CKAN/SPI3_CS	21
45	PA29/AFIO_MCO/ADC11_IN26	PA3/CKAO/SPI3_CS	20
46	PA30/AFIO_MCO/ADC11_IN27	PA2/CKAP/SPI3_CS	19
47	PA31/AFIO_MCO/ADC11_IN28	PA1/CKAQ/SPI3_CS	18
48	PA32/AFIO_MCO/ADC11_IN29	PA0/CKAR/SPI3_CS	17
49	PA33/AFIO_MCO/ADC11_IN30	PA31/CKAS/SPI3_CS	16
50	PA34/AFIO_MCO/ADC11_IN31	PA30/CKAT/SPI3_CS	15
51	PA35/AFIO_MCO/ADC11_IN32	PA29/CKAU/SPI3_CS	14
52	PA36/AFIO_MCO/ADC11_IN33	PA28/CKAV/SPI3_CS	13
53	PA37/AFIO_MCO/ADC11_IN34	PA27/CKAW/SPI3_CS	12
54	PA38/AFIO_MCO/ADC11_IN35	PA26/CKAX/SPI3_CS	11
55	PA39/AFIO_MCO/ADC11_IN36	PA25/CKAY/SPI3_CS	10
56	PA40/AFIO_MCO/ADC11_IN37	PA24/CKAZ/SPI3_CS	9
57	PA41/AFIO_MCO/ADC11_IN38	PA23/CKBA/SPI3_CS	8
58	PA42/AFIO_MCO/ADC11_IN39	PA22/CKBB/SPI3_CS	7
59	PA43/AFIO_MCO/ADC11_IN40	PA21/CKBC/SPI3_CS	6
60	PA44/AFIO_MCO/ADC11_IN41	PA20/CKBD/SPI3_CS	5
61	PA45/AFIO_MCO/ADC11_IN42	PA19/CKBE/SPI3_CS	4
62	PA46/AFIO_MCO/ADC11_IN43	PA18/CKBF/SPI3_CS	3
63	PA47/AFIO_MCO/ADC11_IN44	PA17/CKBG/SPI3_CS	2
64	PA48/AFIO_MCO/ADC11_IN45	PA16/CKBH/SPI3_CS	1

2

3

1

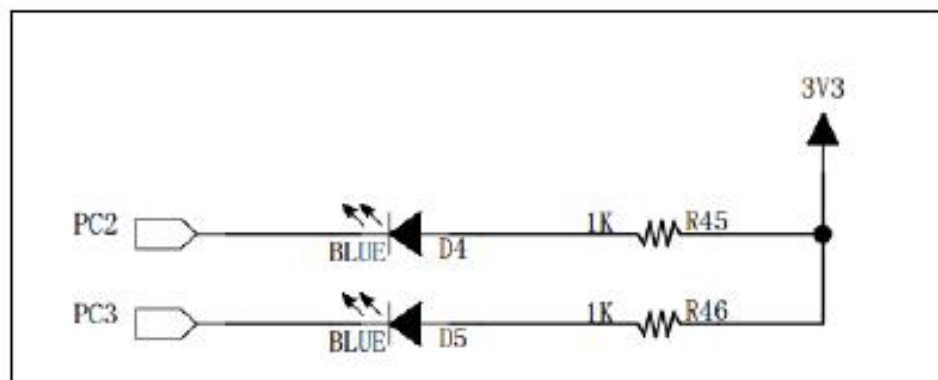
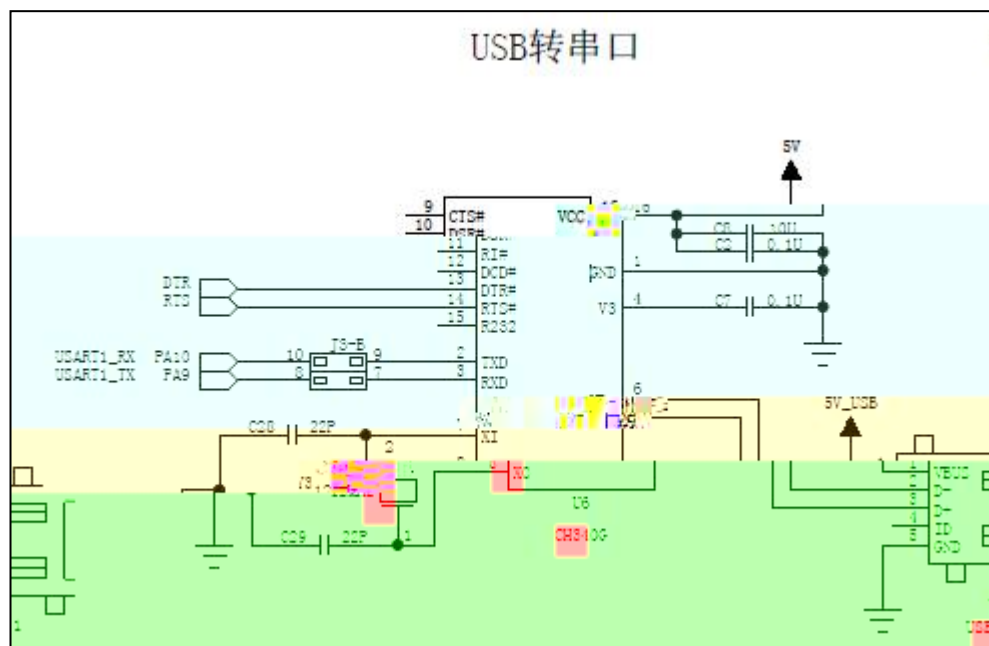


2

3

-

1



2

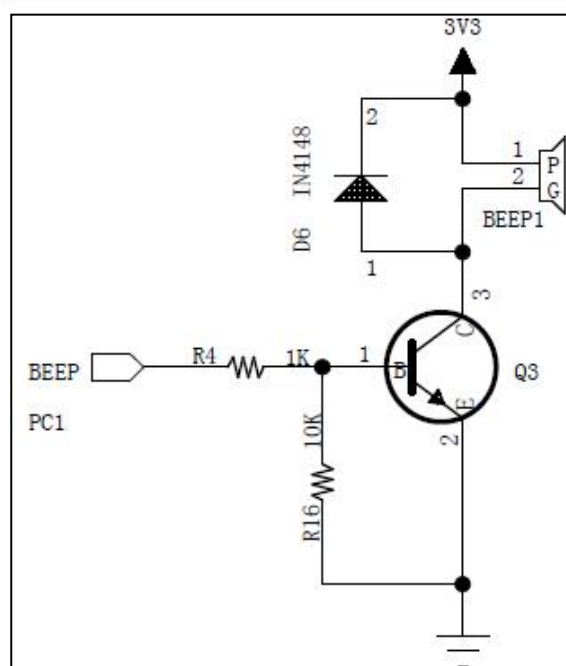
3

-

1

2

1

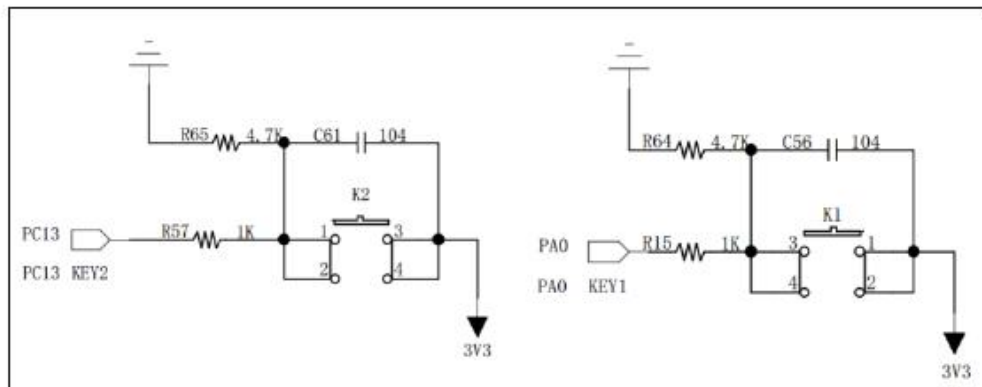
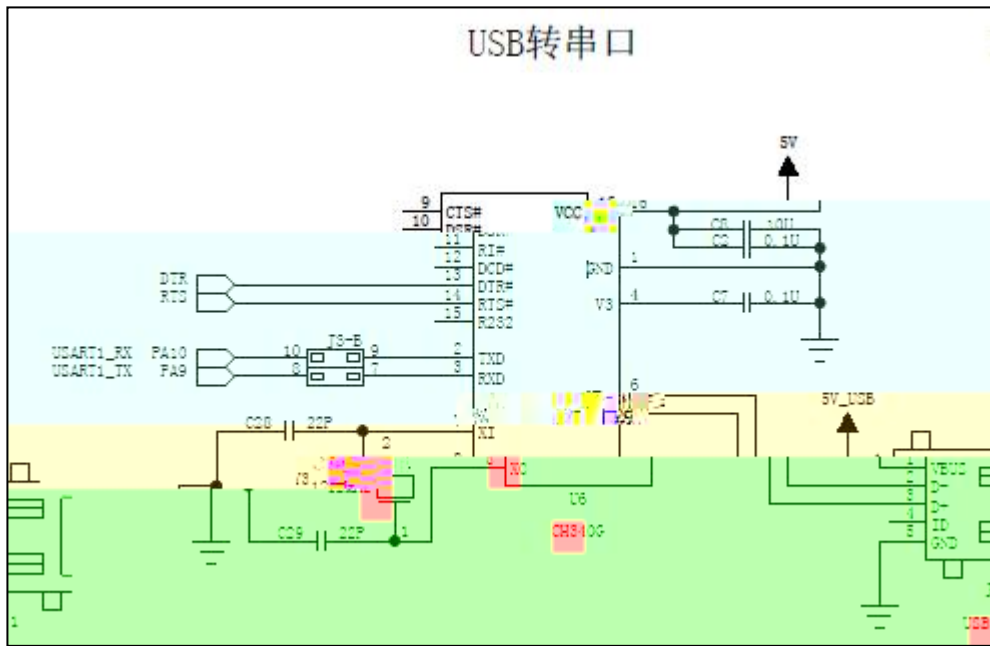


2

3

-

1

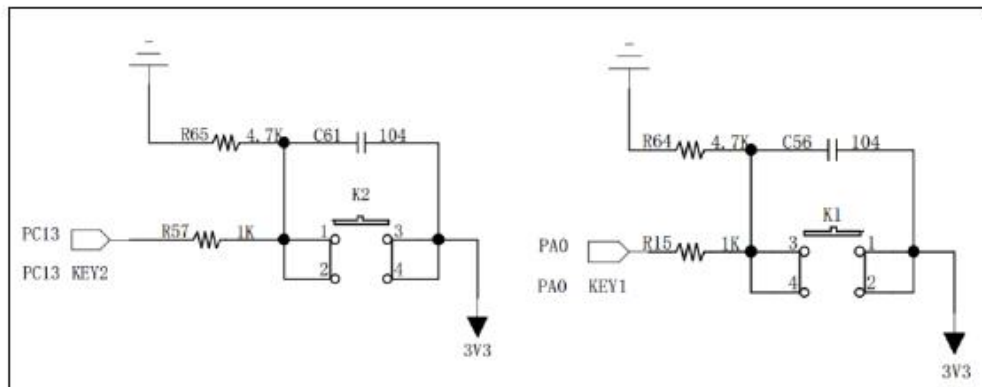
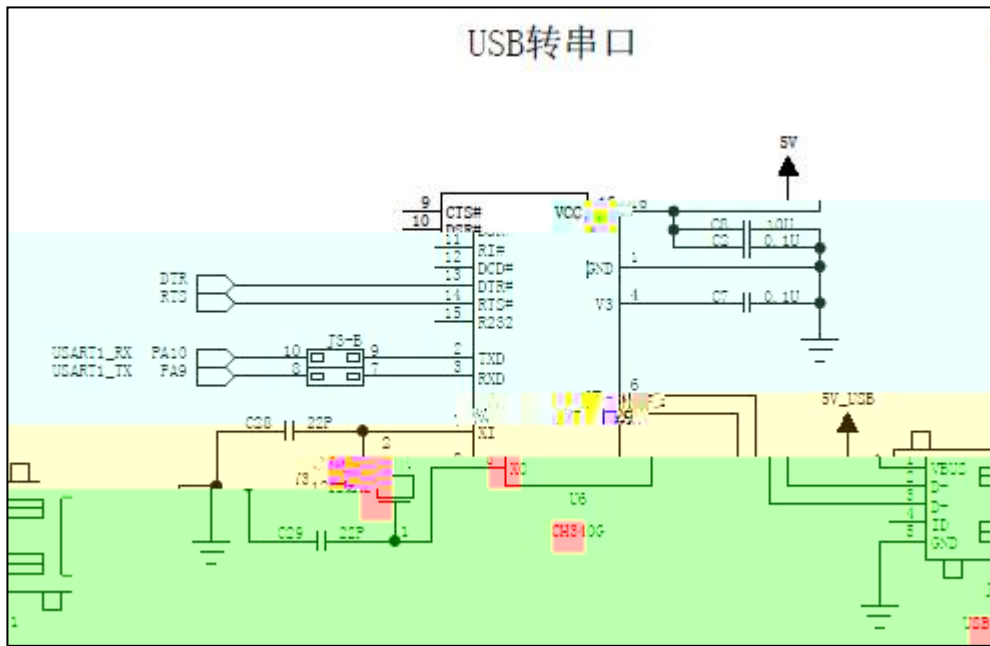


2

3

-

1



2

3

-



2

3

-

1



2

3

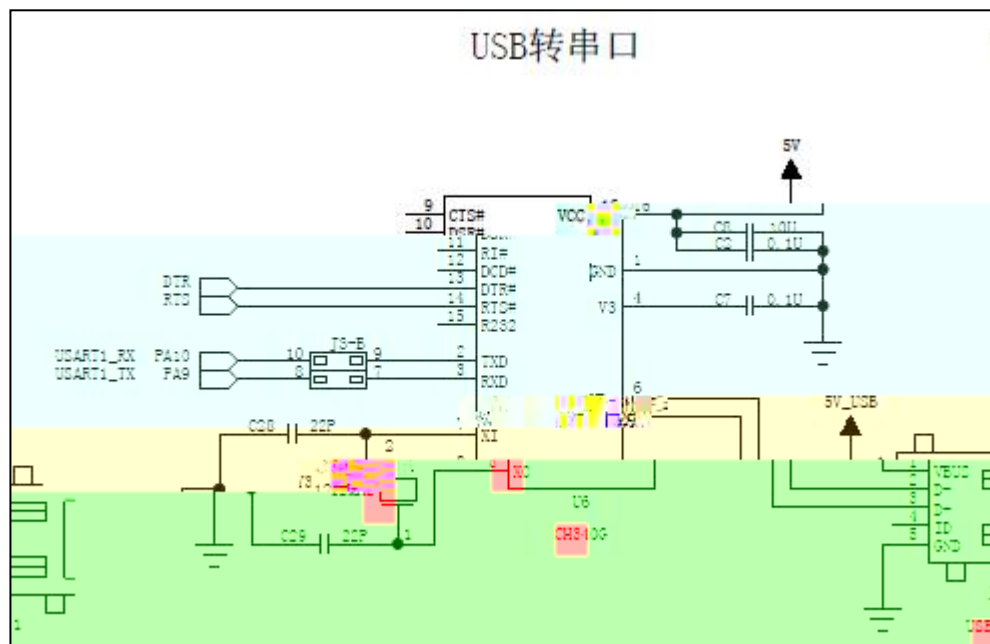


2

3

-

1



2

3

-

1

1

/ /

.0

/ /

()

/

1 0

20		10			0	
			6			
			7			
		10	8			
			9			

			10	
30				
		10		
		10		
50				
		10		

5

18

1
2

20sp

RGB #FF0000



3 :

2
1



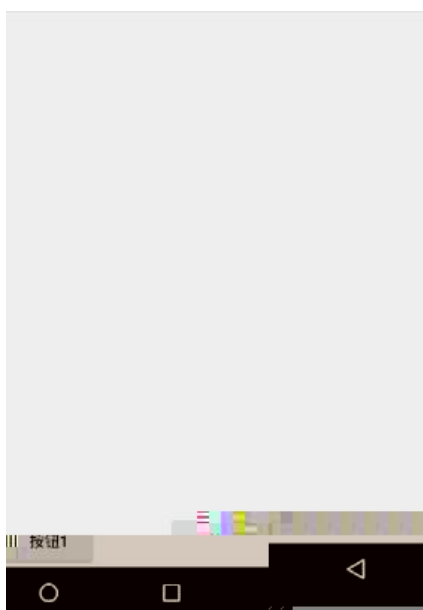
3 :

1

2

1

2



3

:

TextView

2

1



3

1

2



3

2

1

2



3

1

1 1 1 1

2

1

2

1 1 1 1



3

1

2

1



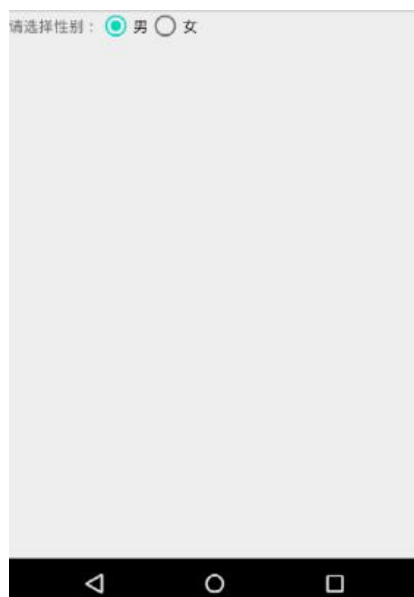
3

1

2

1

2



3

1

2

1

2

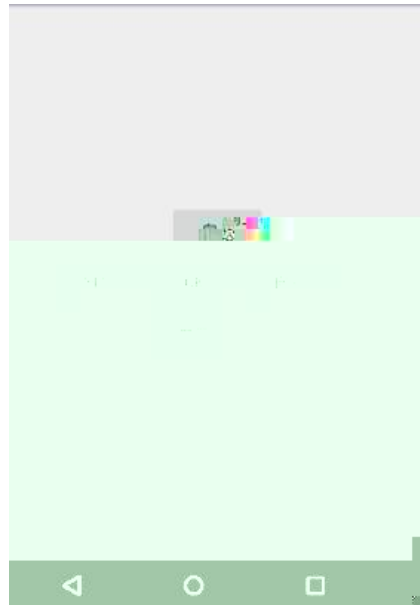


3

1

2

1



3

1

LED

2

1

2

3

TextView LED



3

1

LED

2

1

2

3

TextView LED



3

1

LED

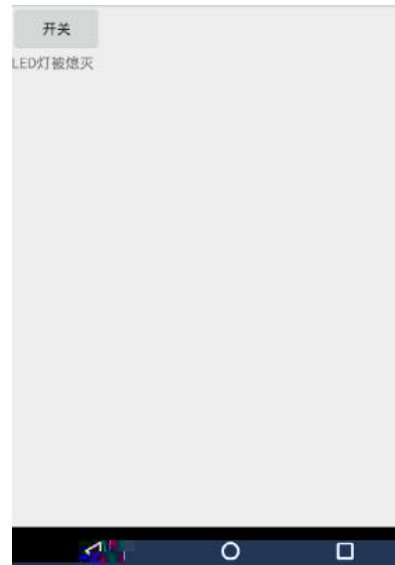
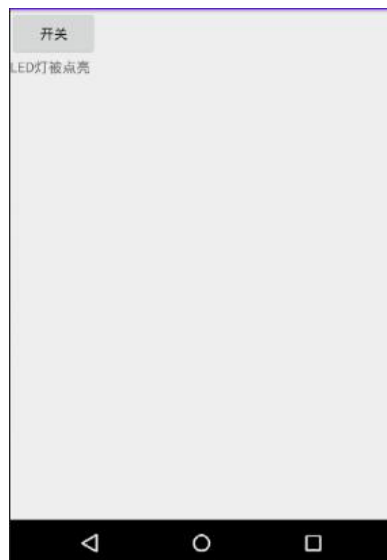
2

1

2

3

TextView LED



3

1

LED

2

1

2

3

4

TextVi ew



3

1

LED

2

1

2

3

4

ImageView

30dp*30dp



3

1

2

1

2



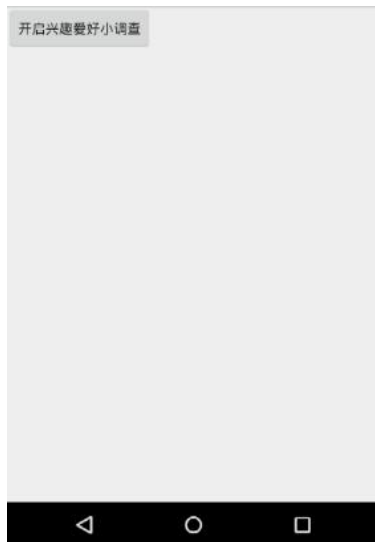
3

1

2

1

2



3